

2. Design

There is a wide range of cabinet doors and ironmongeries available in the local market. This guide book focuses only on those commonly used products.

2.1. TYPES OF CABINET DOOR

There are various cabinet door systems available in the market, including sliding door, hinged door and bi-fold door. Table 2.1 shows the design considerations for the various types of cabinet door systems.


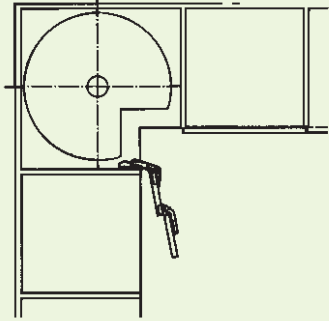
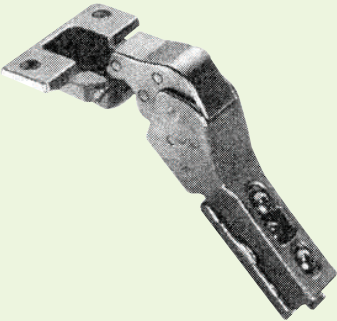
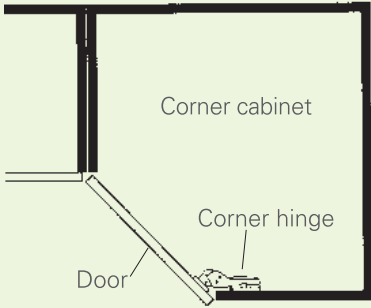
Table 2.1 Common cabinet door used locally

Types of cabinet door	Description
<p>1. Sliding door</p> 	<ul style="list-style-type: none">• Design sliding doors to glide along an aluminium track system.• Features:<ul style="list-style-type: none">◦ Space saving as only a few inches of clearance is required for the door panel to slide◦ Could achieve full height and even slide behind or within the wall to have full opening
<p>2. Hinged door</p> 	<ul style="list-style-type: none">• 50mm to 100mm high cabinet base or plinth are built together with the cabinet, so the door panel does not scratch the floor when it swings.• Features:<ul style="list-style-type: none">◦ Gives full access to the interior of the closet◦ Could achieve higher height◦ Would have slight warpage problem
<p>3. Bi-fold door</p> 	<ul style="list-style-type: none">• Features:<ul style="list-style-type: none">◦ Allows access to the full width of the closet while it requires only half the clearance space that swing door needs◦ The number of moving parts is twice that of sliding doors and hence higher probability of them falling off their tracks, if quality system is not selected

2.2. TYPES OF CABINET HINGE

There are various types of cabinet hinges available in the market. Table 2.2 shows the design considerations for the various types of cabinet hinges.

Table 2.2 Common cabinet hinge used locally

Types of cabinet hinge	Description
<p>1. Folding door hinge</p> 	<ul style="list-style-type: none"> • Features: <ul style="list-style-type: none"> ◦ Suitable for kitchen corner cabinet with folding door 
<p>2. Corner hinge</p> 	<ul style="list-style-type: none"> • Features: <ul style="list-style-type: none"> ◦ Suitable for corner cabinet 

The factors to take into consideration when selecting the type of hinge are:

- Opening angle required,
- Side panel thickness,
- Door thickness, and
- Gap between door and carcass.

The number of hinges to use per cabinet door depends on the dimensions and weight of the door. In case of doubt, e.g. for doors with mirrors, glass or exceptionally wide doors, a trial mounting is recommended. Door with width that is greatly disproportionate to its height should be avoided. For normal cabinet doors made of conventional materials, Figure 2.1 may be used as a guide.

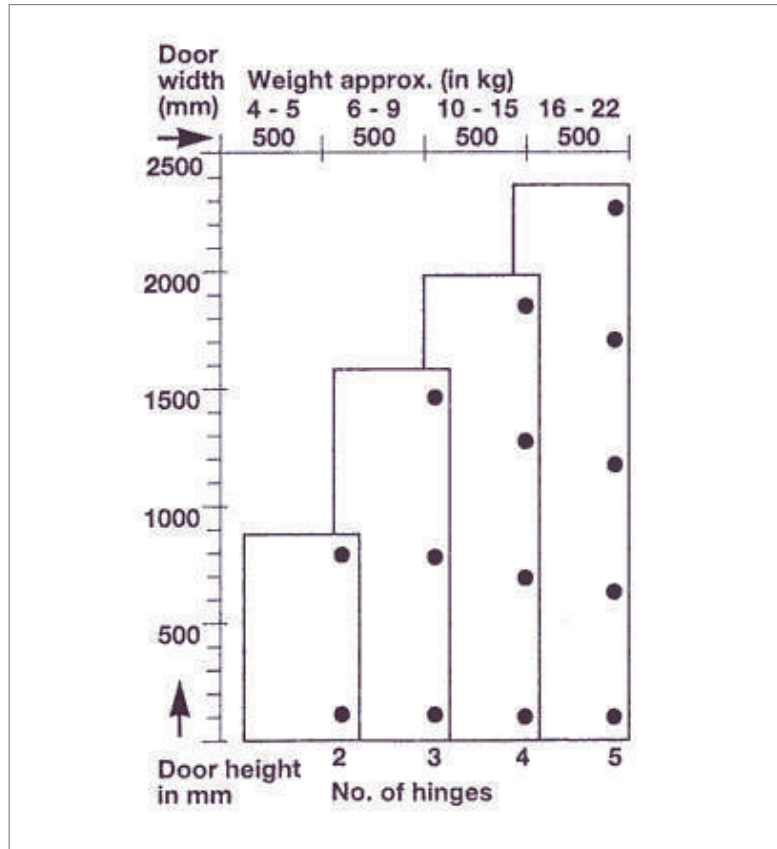


Figure 2.1 Relation between height of door and number of hinges
(Source: The Complete Häfele Handbook)